

Pelltech PV 50

Pelltech Public range burners are fully compatible with oil and steam boilers, baking ovens, driers and other similar systems that require cost effective and sustainable heating solutions.

The burners are **self cleaning** with automated ash removal system. Installation and setup of Pelltech burners is simple and straightforward. Once up and running, our burners require very little maintenance thanks to **fully automated control system**. These burners can be managed online from any smart device, making it easy to check status, update software or change parameters on the go.

All products have been engineered and tested in accordance with European safety standards.

ADVANTAGES

- Burner can be controlled online
- Fast ignition
- Fuel level control
- Intelligent power modulation
- User friendly interface
- Low emissions
- Multiple operation modes
- Low power consumption
- Backup battery
- Fan speed control
- Dosing with internal auger
- Programmable relay output
- Draught control
- Separate fans for primary and secondary air
- Automatic ash removal
- Replaceable burning chamber components



Pelltech OÜ is a company specialised in development, manufacture and sale of pellet burners and boilers. Founded in 2006 by two pioneers in the field of renewable energy, Pelltech has become the largest and most acknowledged pellet burning equipment firm in the Baltics.



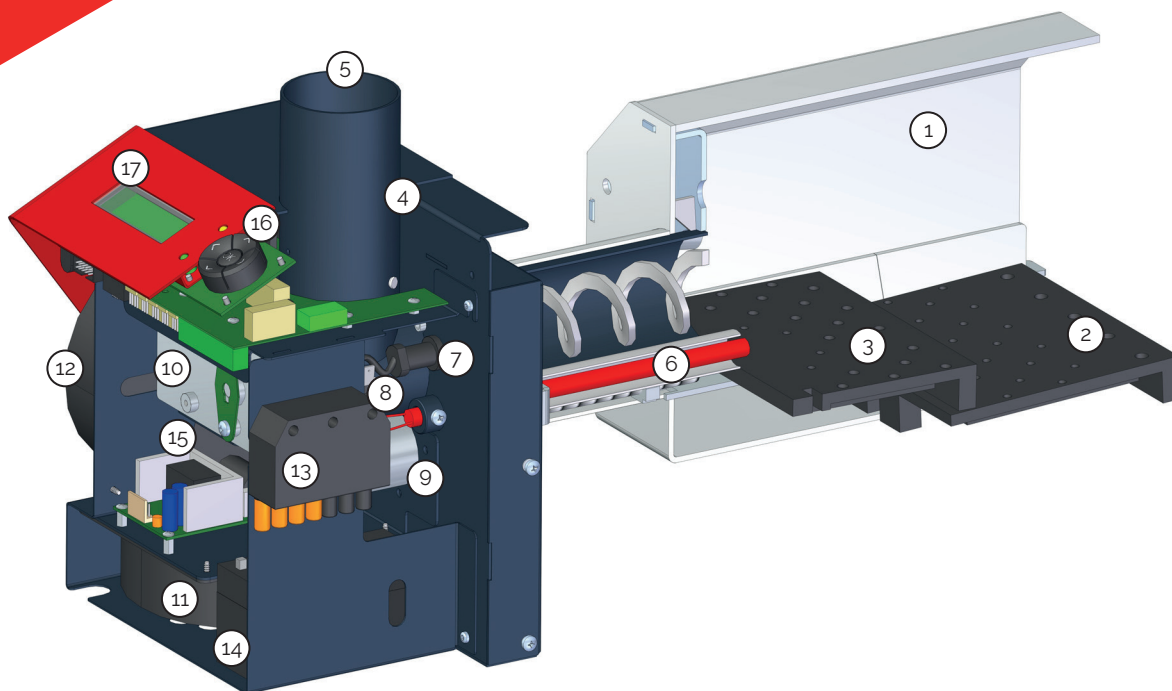
PUBLIC

Medium and large properties such as spas, schools, gyms and care homes



pelltech
BURNERS

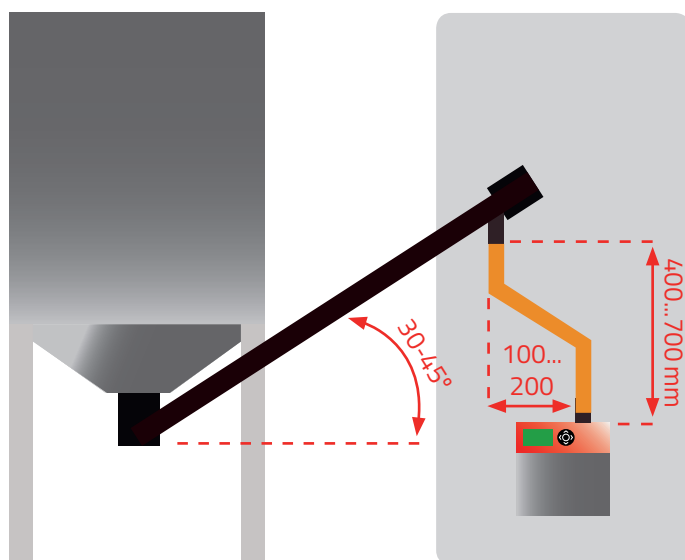
Pelltech PV 50



- 1. Burning chamber
- 2. Moving grate
- 3. Grate
- 4. Fuel level sensors
- 5. Fuel inlet
- 6. Igniter

- 7. Flame sensor
- 8. Safety thermostat
- 9. Grate moving motor
- 10. Feed screw motor
- 11. Primary fan
- 12. Secondary fan

- 13. Mains supply
- 14. Backup battery
- 15. Power supply
- 16. Control buttons
- 17. Display



Capacity	9-45 kW
Fuel	wood pellets 6-8 mm (Ø)
Max fuel consumption	10.4 kg/h
Boiler requirements	
- min furnace diameter	370 mm
- min furnace length	520 mm
Flue gas	
- Maximum amount (at 150°C)	130 m ³ /h
- Optimal O ₂ concentration	8...10 %
- Optimal furnace negative pressure	-6 PA
Mains supply	230 VAC
Electrical power consumption	
- Igniting / Standby	440 / 7 W
Overall dimensions (L/W/H)	560/235/285 mm
Pellet inlet diameter	60 mm
Burning chamber dimensions	260/175/180 mm
Burner weight	17

Pelltech OÜ
Sära tee 3
Peetri 75312
Estonia

www.pelltech.eu
info@pelltech.eu
tel. +372 677 5277

Reseller: